

Omega HRP replacement chassis is the ideal replacement and upgrade for the original Omega HRP units. The chassis unit is our OEM direct drop-in for allowing for a fast, simple and easy installation.

The Omega unit features modern components and works seamlessly with the existing microprocessor controller providing the user with silent, energy efficient, and reliable year-round operation.

Factory tested and fully charged with R-410A makes Omega the preferred replacement option.

STANDARD FEATURES

- Factory charged and tested
- High efficiency compressors
- Microprocessor Controller Compatible
- High and Low-Pressure safety switches
- Thermal Expansion Valve (TXV) & Filter Drier
- R-410A Environmentally friendly refrigerant
- Refrigerant service access ports
- Heavy gauge galvanized sheet metal
- 1-Year Parts and 5-Year Compressor Warranty

QUICK & EASY

Omega HRP replacement chassis units are dimensionally identical to existing unit for a quick and easy installation. Simply remove old chassis, and slide in new Omega chassis. All connections are plug-n-play with no wiring modifications required. Water connections match existing cabinet and hose connections for a seamless transition.

SAFETY

Replacement chassis comes standard with safety features to protect unit from unwanted operating conditions: high-pressure and low-pressure safety switches to shut down unit before damage can occur and pre-emptive detection of water flow issues.

COMFORT & RELIABILITY

Quiet and reliable operation from the use of quality components and construction. High-efficiency compressor ensures silent and reliable operation. Unit integrates with existing microprocessor controller and monitors operation of the unit for fault-free start-ups and optimal operation. All new Omega units come with our standard 1-year parts 5-year compressor warranty.

OPTIONS & ACCESSORIES

- Thermostat
- Auto-Flow Balancing valve
- Auto Shut-Off Control valve
- Hose kits
- Geothermal Option
- Coated Air Coil for Formicary Corrosion Protection

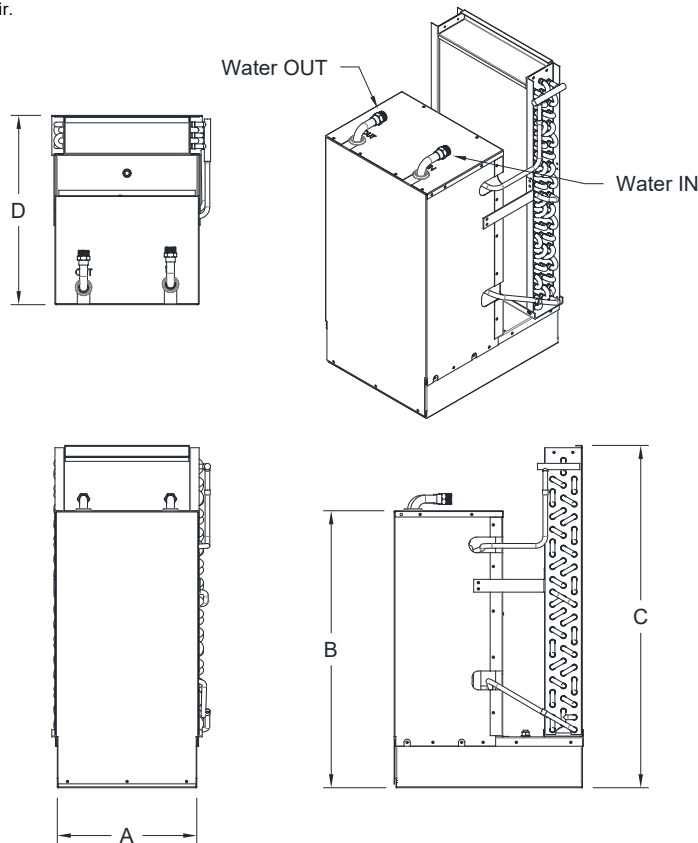
Performance Data

| Omega Model | Replaces Omega Model | Refrig. | Size (Tons) | Nominal CFM | Cooling* | | Heating* | | Nominal GPM | WPD | |
|----------------|----------------------|---------|-------------|-------------|-------------------|------------------|-------------------|------------------|-------------|-----|----|
| | | | | | BTUH ¹ | EER ¹ | BTUH ² | COP ² | | PSI | FT |
| RPC-OM-HRP-020 | HRP-020 | R-410A | 1/2 | 200 | 5,800 | 12.2 | 7,200 | 4.3 | 1.5 | 1.7 | 4 |
| RPC-OM-HRP-030 | HRP-030 | R-410A | 3/4 | 350 | 8,900 | 12.5 | 11,900 | 4.6 | 2.5 | 4.8 | 11 |
| RPC-OM-HRP-040 | HRP-040 | R-410A | 1 | 460 | 11,600 | 13.7 | 14,700 | 4.7 | 3.0 | 4.8 | 11 |
| RPC-OM-HRP-050 | HRP-050 | R-410A | 1 1/4 | 530 | 15,100 | 15.5 | 17,200 | 4.8 | 4.0 | 6.2 | 14 |
| RPC-OM-HRP-060 | HRP-060 | R-410A | 1 1/2 | 630 | 17,900 | 14.5 | 22,500 | 4.5 | 4.5 | 8.7 | 20 |
| RPC-OM-HRP-080 | HRP-080 | R-410A | 2 | 820 | 22,000 | 13.3 | 29,500 | 4.4 | 6.0 | 4.4 | 10 |
| RPC-OM-HRP-100 | HRP-100 | R-410A | 2 1/2 | 1010 | 26,400 | 13.0 | 36,000 | 4.3 | 7.0 | 5.6 | 13 |
| RPC-OM-HRP-120 | HRP-120 | R-410A | 3 | 1200 | 36,000 | 12.8 | 46,700 | 4.2 | 9.0 | 8.0 | 18 |

* Nominal capacity performance based on 86F EWT Cooling, 68F EWT Heating and rated CFM. Includes fan power 0.365W/CFM

¹ Cooling performance based on 80F DB and 67F WB entering air conditions.

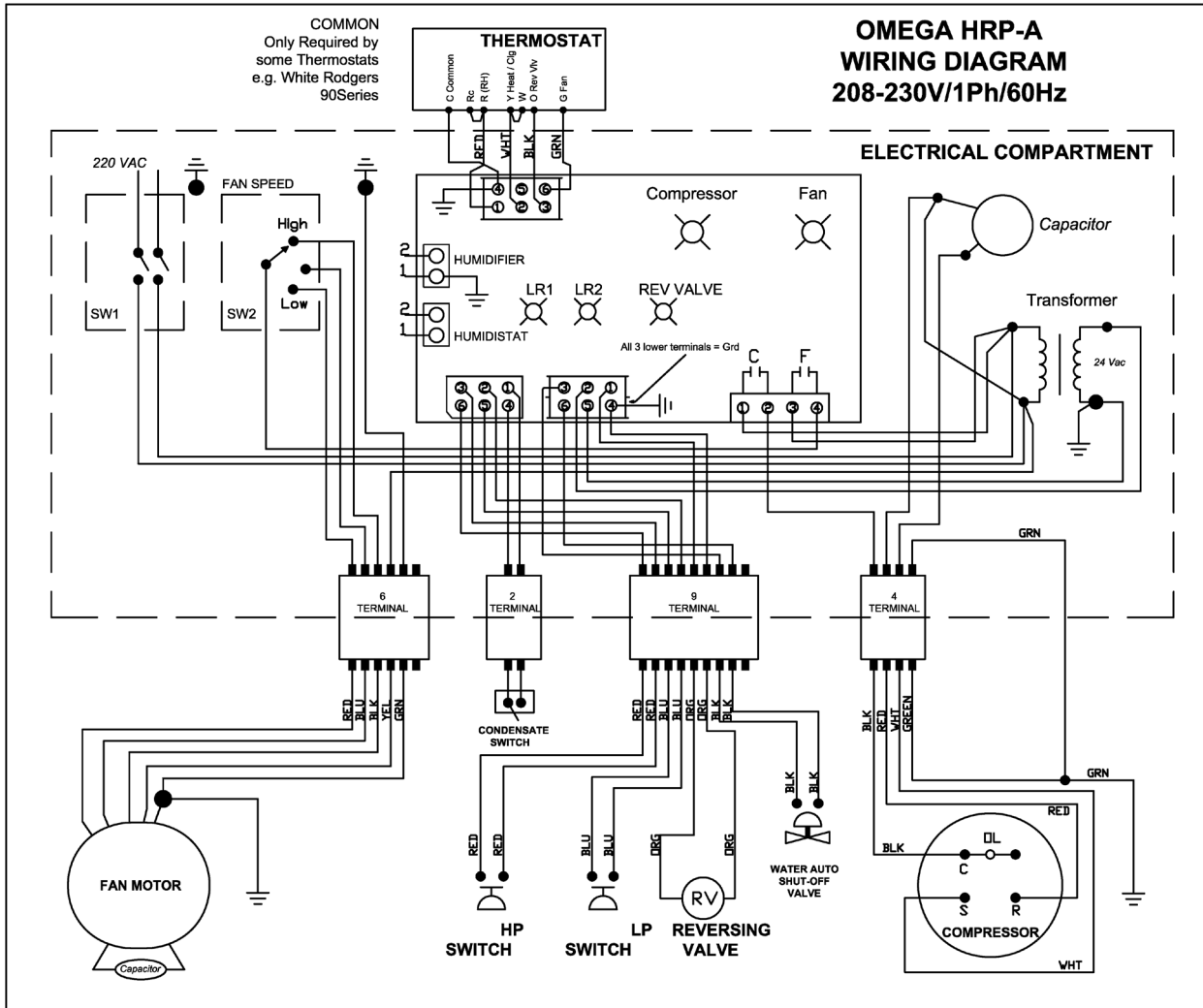
² Heating performance at 68F entering air.



Dimensional Data

| Omega Model | Cabinet Size | Dimensions (inches) | | | | Water Connection (in) | | Weight (lbs.) |
|----------------|--------------|---------------------|--------|--------|--------|-----------------------|--------|---------------|
| | | A | B | C | D | Outlet | Inlet | |
| RPC-OM-HRP-020 | X | 11 1/8 | 22 | 16 1/4 | 15 | 1/2 NH | 1/2 NH | 57 |
| RPC-OM-HRP-030 | | 11 1/8 | 22 | 27 3/8 | 15 | 1/2 NH | 1/2 NH | 67 |
| RPC-OM-HRP-040 | | 11 1/8 | 22 | 27 3/8 | 15 | 1/2 NH | 1/2 NH | 72 |
| RPC-OM-HRP-050 | Y | 13 1/4 | 22 1/4 | 28 1/4 | 18 | 1/2 NH | 1/2 NH | 93 |
| RPC-OM-HRP-060 | | 13 1/4 | 22 1/4 | 28 1/4 | 18 | 1/2 NH | 1/2 NH | 95 |
| RPC-OM-HRP-080 | Z | 17 1/8 | 23 3/8 | 29 1/4 | 22 1/4 | 3/4 NH | 3/4 NH | 138 |
| RPC-OM-HRP-100 | | 17 1/8 | 23 3/8 | 29 1/4 | 22 1/4 | 3/4 NH | 3/4 NH | 140 |
| RPC-OM-HRP-120 | | 17 1/8 | 23 3/8 | 29 1/4 | 22 1/4 | 3/4 NH | 3/4 NH | 150 |

Wiring Schematic: 9 Pin HRP Version



Electrical Data

| MODEL | Compressor Type | Supply Voltage | Compressor | | |
|----------------|-----------------|----------------|------------|------|------|
| | | | QTY | RLA | LRA |
| RPC-OM-HRP-020 | Rotary | 208-230/1/60 | 1 @ | 3.0 | 15.0 |
| RPC-OM-HRP-030 | Rotary | 208-230/1/60 | 1 @ | 3.7 | 22.0 |
| RPC-OM-HRP-040 | Rotary | 208-230/1/60 | 1 @ | 4.7 | 25.0 |
| RPC-OM-HRP-050 | Rotary | 208-230/1/60 | 1 @ | 5.6 | 26.0 |
| RPC-OM-HRP-060 | Rotary | 208-230/1/60 | 1 @ | 7.4 | 33.0 |
| RPC-OM-HRP-080 | Scroll | 208-230/1/60 | 1 @ | 10.9 | 62.9 |
| RPC-OM-HRP-100 | Scroll | 208-230/1/60 | 1 @ | 13.5 | 72.5 |
| RPC-OM-HRP-120 | Scroll | 208-230/1/60 | 1 @ | 15.4 | 83.9 |

VERIFY EXISTING ELECTRICAL SERVICE IS ADEQUATE FOR NEW REPLACEMENT CHASSIS

For product support contact your local certified distributor
Visit www.omega-heatpump.com